

# Tap Series FTP-8000/9000 FASTstart Guide



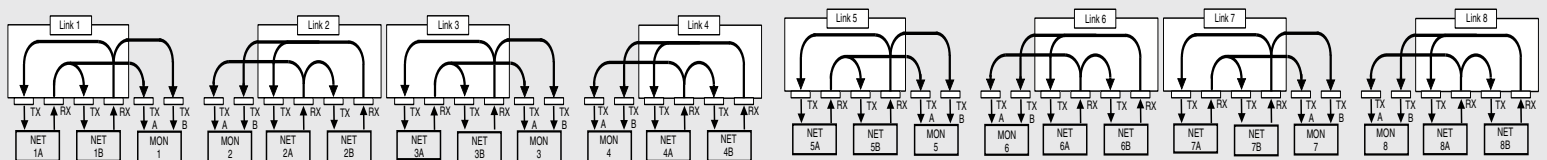
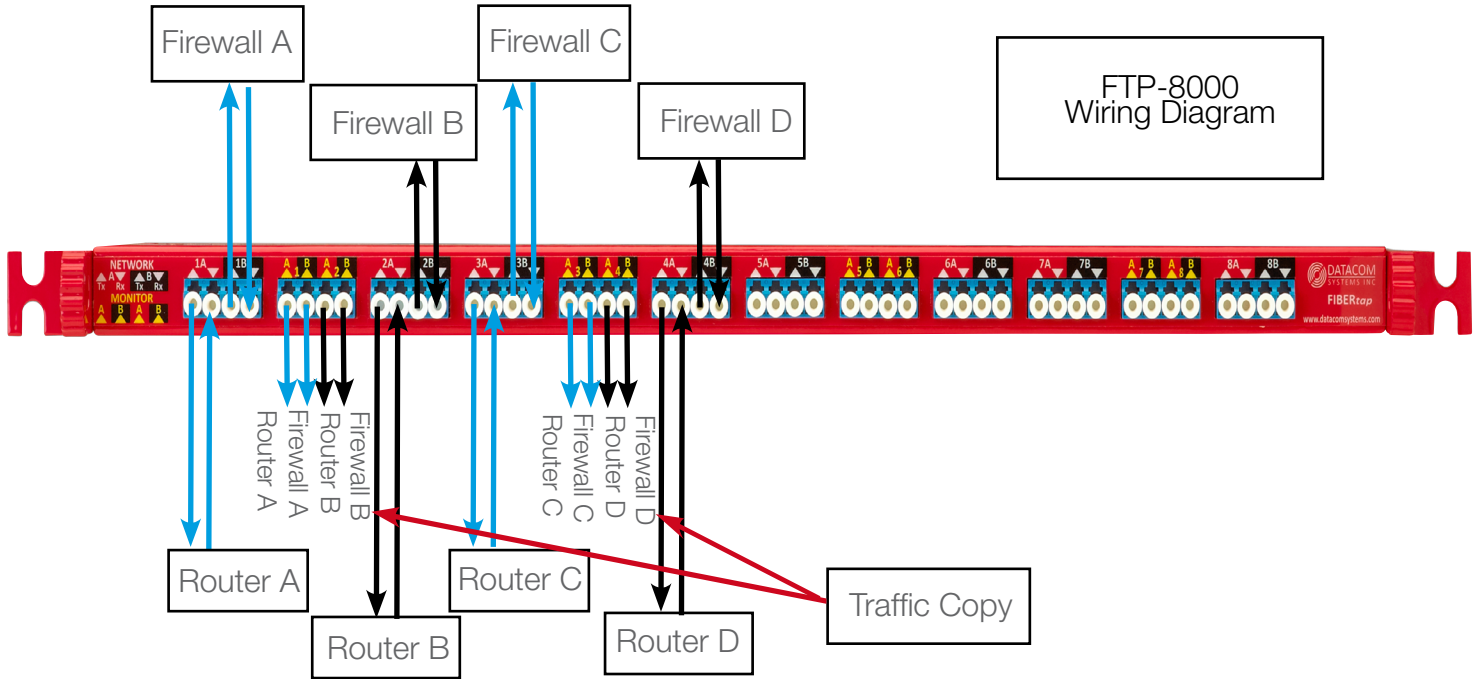
## What is included?

- (1) Fiber tap w/ rack mount
- (1) Download Card/Faststart Guide (tells where to download more product information)

Fiber taps allow you to make a copy of network traffic as it travels between two network devices. These highly reliable, non-powered devices are the perfect solution to collect and capture network traffic for application analysis.

**Installation** Follow the wiring diagrams shown below. Fiber taps are directional, and use specific inputs and outputs for TX and RX to work properly. Make sure to clean all connectors with compressed air and clean patch cable connectors prior to installation.

**Typical Insertion loss ratios\***: •50/50 MM -4.2 dB •70/30 MM -3.0/-6.7 dB •50/50 SM -3.9 dB •70/30 SM -2.2/-6.3 dB (\*approximate)



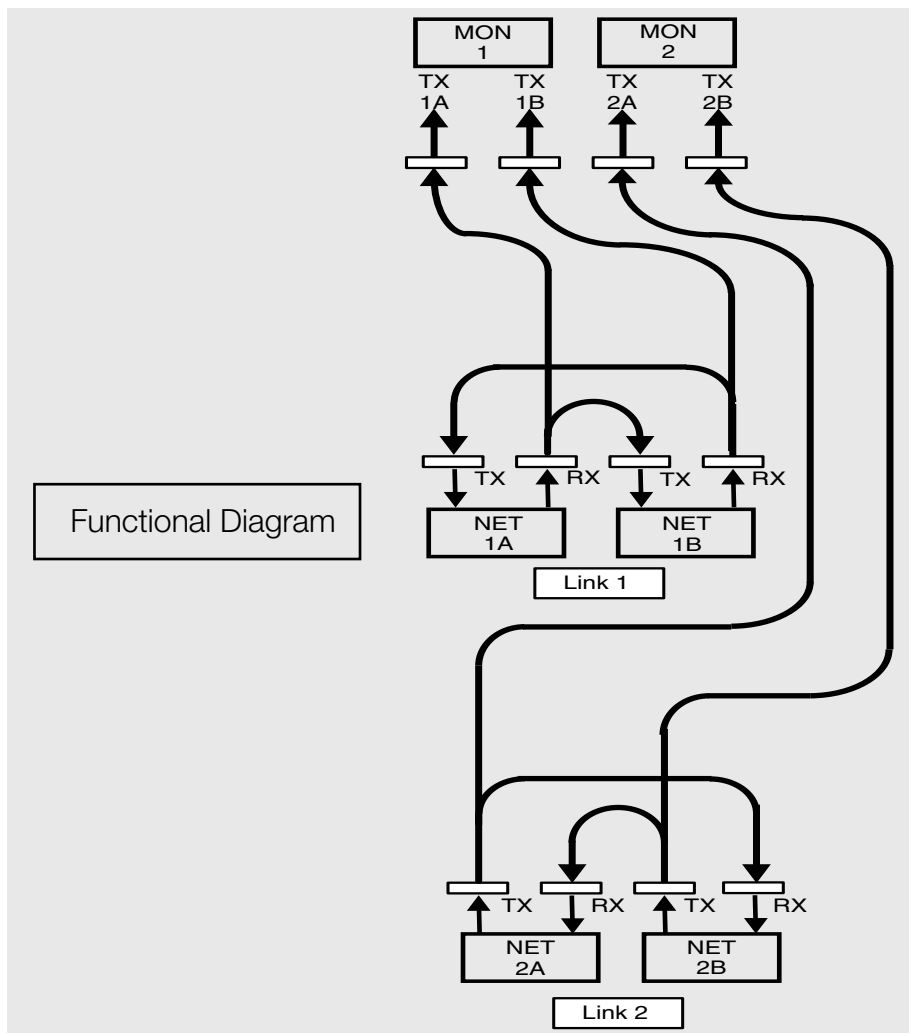
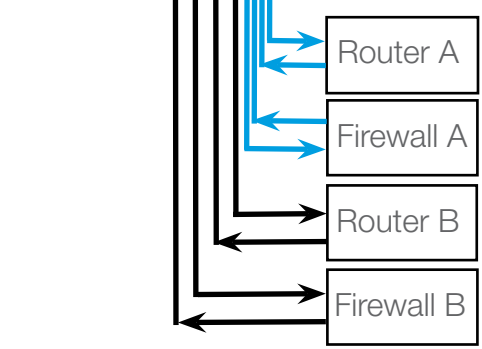
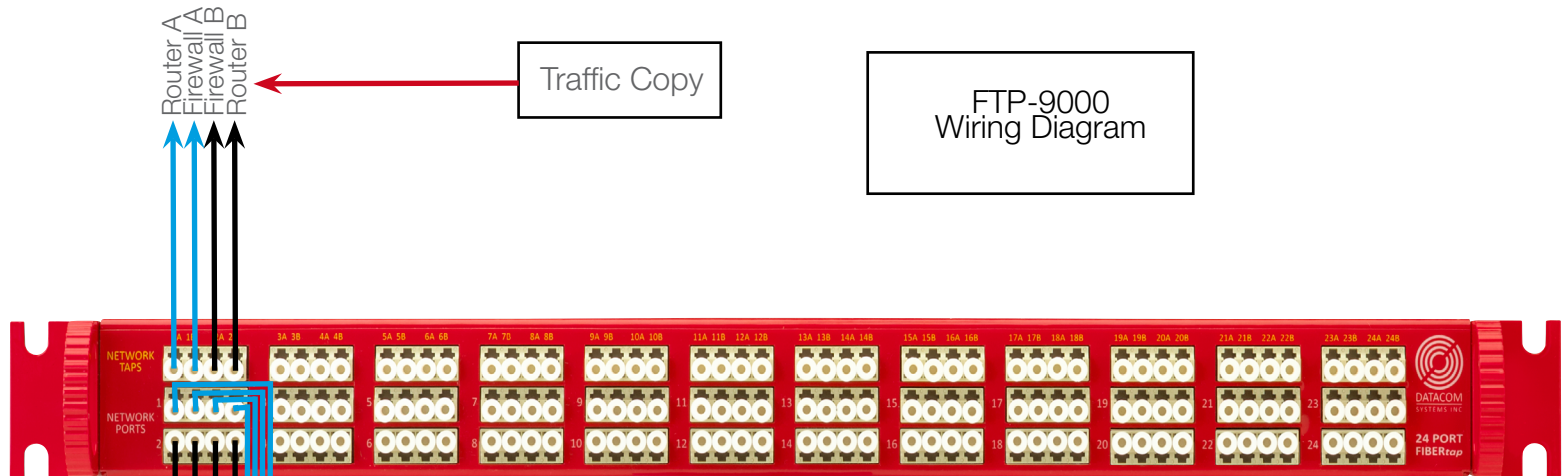
Functional Diagram

Find out more. Visit [www.datacomsystems.com](http://www.datacomsystems.com)

**For More information**

**Customer Service** is available from our website: [www.datacomsystems.com](http://www.datacomsystems.com) or by calling +1 315 463 9541

# Tap Series FTP-8000/9000 FASTstart Guide

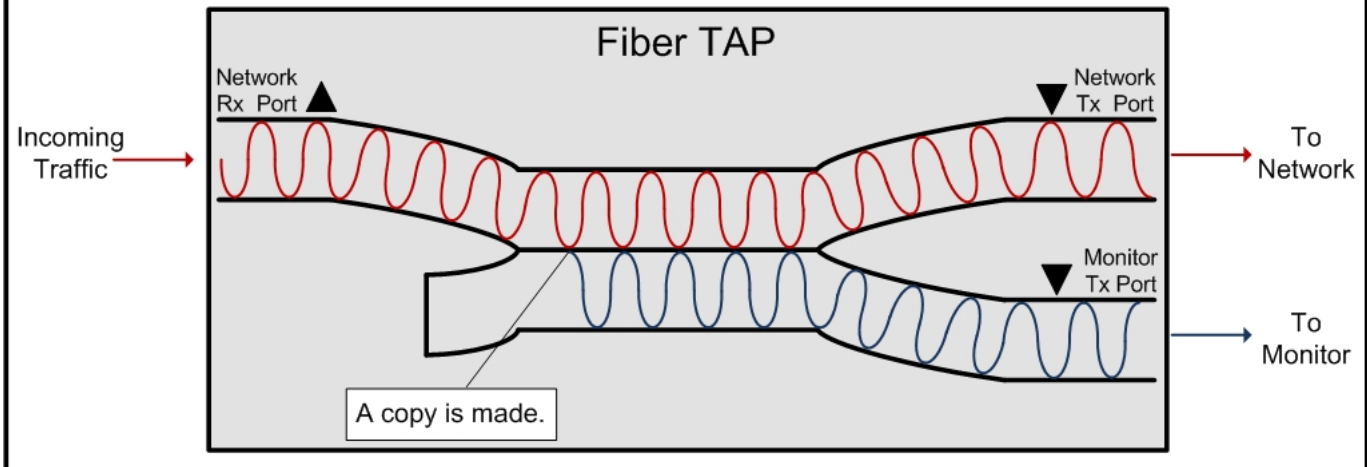


For More information

Customer Service is available from our website: [www.datacomsystems.com](http://www.datacomsystems.com) or by calling +1 315 463 9541

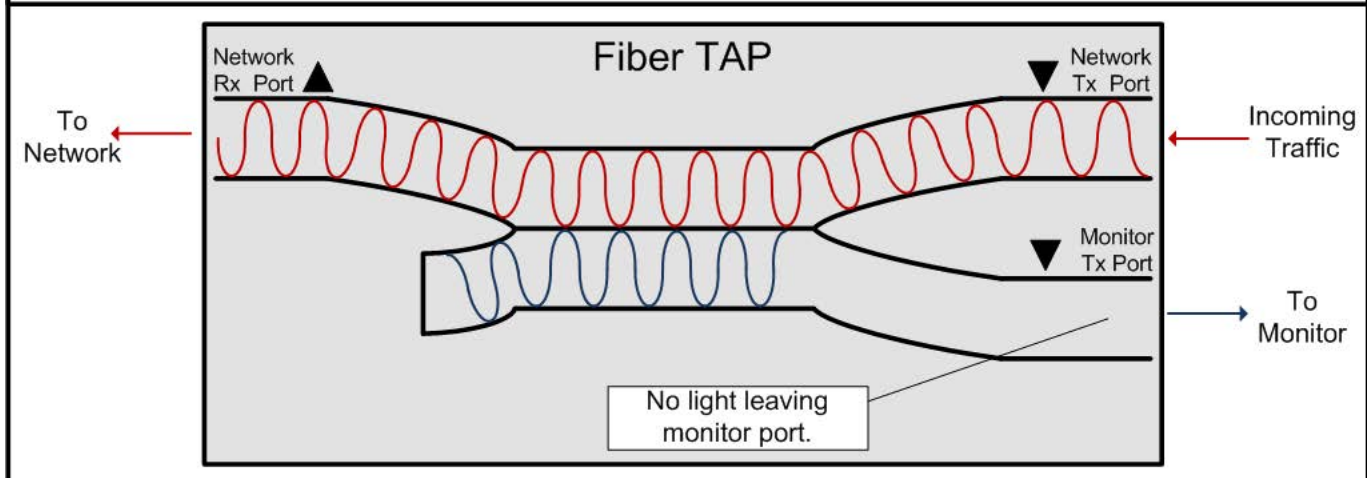
**Correct Wiring:** When installing a Fiber Tap, it is important to make sure that the Tx and Rx fibers are connected to the respective ports on the Fiber Tap. When wired correctly, the traffic incoming on an Rx port will be split before being sent to two separate Tx ports (One copy to the other Network device, the other copy to Monitor).

## When Rx and Tx are connected correctly:



**Reverse Wiring:** If the fibers are connected backwards, light will not be received on the monitoring port. This is because the internal coupler that splits the light is unidirectional.

## When Rx and Tx are connected incorrectly:



**To Avoid Reverse Wiring:** Reverse wiring can be difficult to catch initially, since an incorrectly cabled Fiber Tap will still send light between the network ports and connectivity will be seen on both network endpoints. Be sure to check for light on the monitor ports as well as the network ports when installing the Fiber Tap.

**For More information**

Customer Service is available from our website: [www.datacomsystems.com](http://www.datacomsystems.com) or by calling +1 315 463 9541