

FTP-1518 FASTstart Guide



What is included?

- (1) Fiber tap w/ mounting bracket (for use with RMC-2 , RMC 12-2 or RMC-3, RMC 12-3)
- (1) Download Card/Faststart Guide (tells where to download more product information)

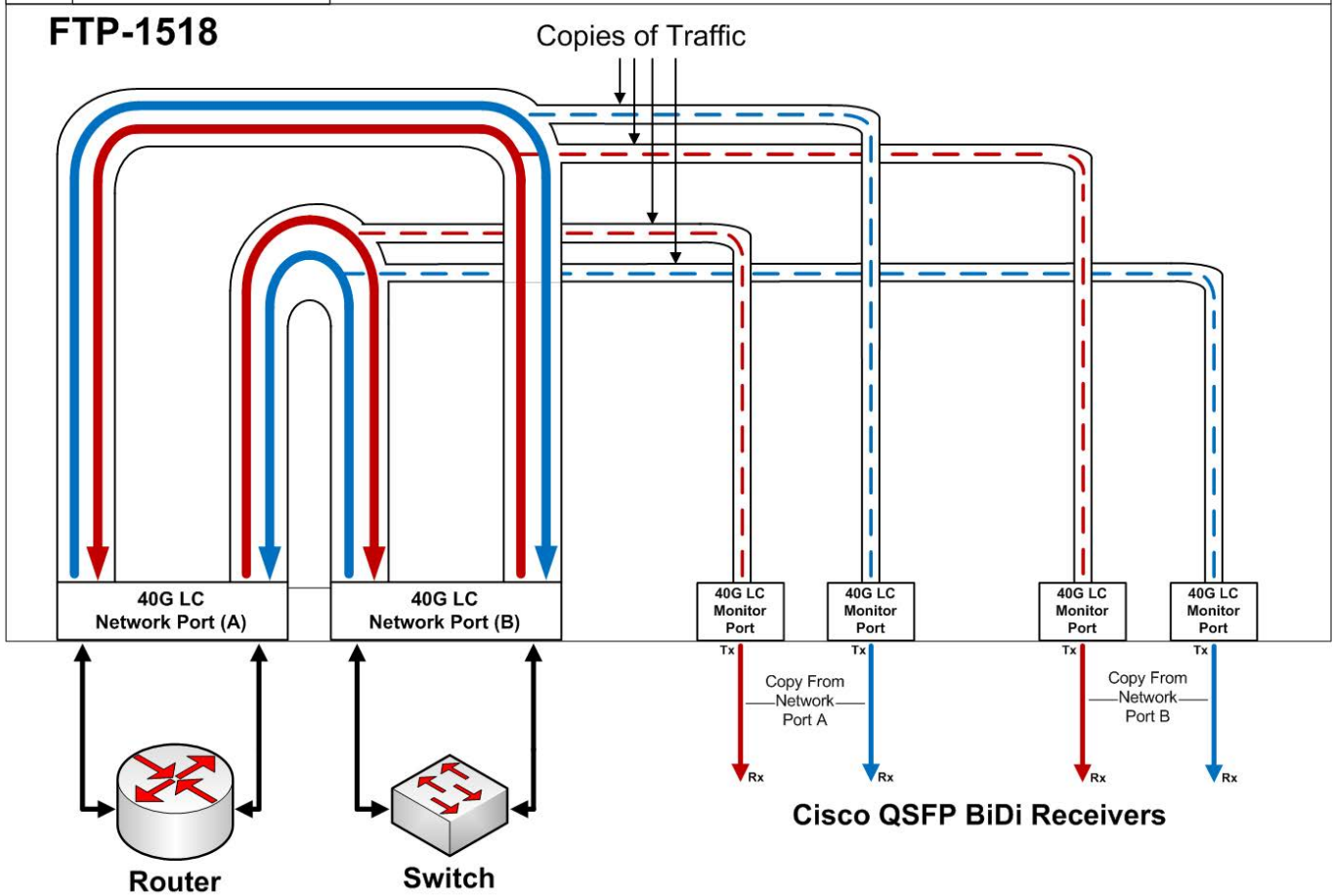
Fiber taps allow you to make a copy of network traffic as it travels between two network devices. These highly reliable, non-powered devices are the perfect solution to collect and capture network traffic for application analysis.

The FTP-1518 taps a Cisco 40G BiDi link and sends copies of the traffic out 4 40G LC ports. Each monitor port outputs one direction of traffic.

Installation Follow the wiring diagrams shown below. Fiber taps are directional, and use specific inputs and outputs for TX and RX to work properly. Make sure to clean all connectors with compressed air and clean patch cable connectors prior to installation.

Typical Insertion loss ratios Network ports: 3.8 dB, Monitor ports: 3.8 dB

Legend		The FTP-1518 will tap a Cisco 40G BiDi network link, sending a bidirectional copy of traffic out a set of 4 LC monitoring ports. The FTP-1518 gives you to access a each wavelength of the fiber connection for monitoring using 40G QSFP bidirectional receivers. Each monitor port transmits a copy of traffic from a single direction on the fiber. All incoming traffic that is received on the network ports is also copied to the respective monitor port. The FTP-1518 is completely passive and uses no electrical power. These network taps are ideal for security applications, network monitoring and anywhere you need to see all the data that only an In-Line solution can provide. Invisible to the network, completely passive and fault-tolerant, fiber taps will not affect network performance or integrity.
	900nm	
	900nm Copy	
	850nm	
	850nm Copy	



Find out more. Visit www.datacomsystems.com

For More information

Customer Service is available from our website: www.datacomsystems.com or by calling +1 315 463 9541