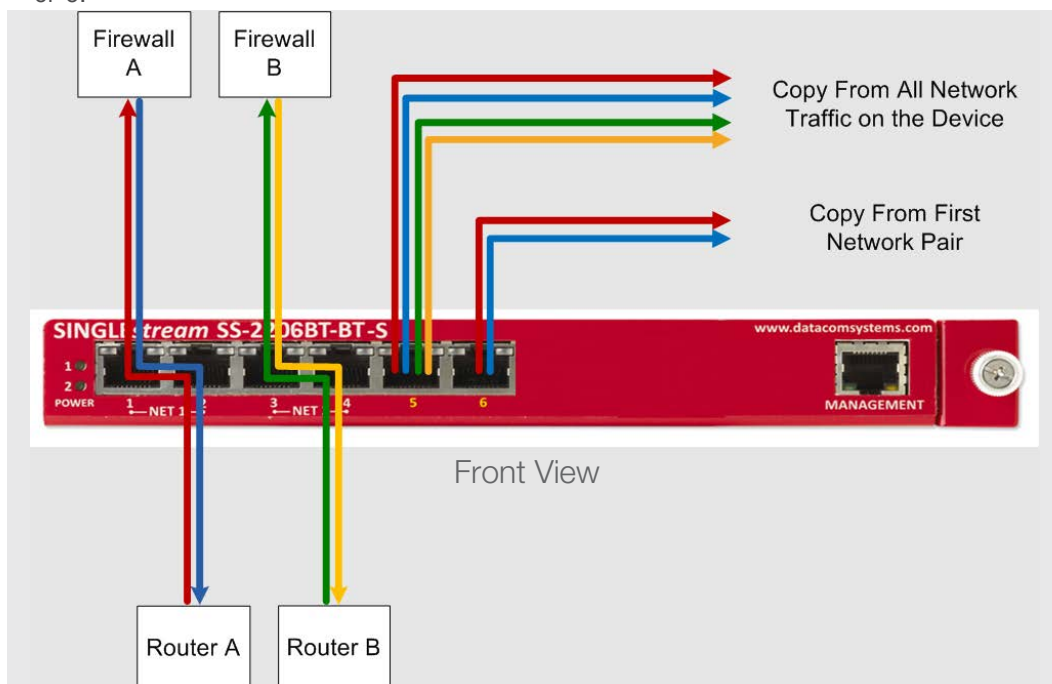


- What is included?**
- (1) SS-2206BT-BT-S w/ mounting bracket (for use with RMC-2 or RMC 12-2)
  - (2) Power Supplies, Universal can be used worldwide
  - (2) AC Power Cables (connector, in most cases, matches the country where the product is shipped)
  - (1) DB-9 M-F Straight Through Serial Cable, 2m
  - (1) Ethernet cable RJ-45. 1m
  - (1) CD with Flashutils software for upgrading firmware
  - (1) Download Card (tells where to download more product information)

The SS-2206BT-BT-S Ethernet TAP from Datacom Systems will tap two network links and make copies of the traffic travelling in each direction. Up to 4 identical copies of the traffic can be aggregated together and sent out a single monitor port. In our example below, we show tapped connections between firewalls and a routers.

**Installation** The SS-2206BT-BT-S Net ports are inserted between two directly connected network devices (i.e. firewall and router). Traffic will flow between these network ports even if the tap is not powered. The clicking sound is normal, see below.

Connect monitoring devices or SPAN ports to ports 5 and 6. Ports 5 and 6 can be used as inputs or outputs. Default setting sends traffic between port 1 and port 2, and between port 3 and port 4. See commands below to send traffic to/from ports 5 or 6.



What's that clicking sound?

That's the relay between the NET ports, part of our LinkProtect feature.

For more information on how these relays can improve your network analysis visit our website.

### Setup

- Default login: Administrator
- Default password: admin
- Read/Write Login: su
- Read/Write password: password
- Serial port settings 8-N-1 No flowcontrol
- Default IP address: 192.168.1.1



Back View

### Common Commands

- help (shows available commands)
- show (shows product firmware and mgt port settings)
- se po sp 5 AUTO (sets port 5 speed to AUTO, 1000FULL, 100FULL)
- se po mo 5 from 1,2 (steers traffic from ports 1 and 2 to port 5)
- se po mo 6 from 3,4 (steers traffic from ports 3 and 4 to port 6)
- se po mo 1 from 6 (steers traffic from port 6 to 1)
- se po mo 5 off (clears any traffic from going to port 5)
- exit (always use this when you leave your telnet/serial session, it automatically saves the configuration)

Find out more. Visit  
[www.datacomsystems.com](http://www.datacomsystems.com)

**For More information**

**Customer Service** is available from our website: [www.datacomsystems.com](http://www.datacomsystems.com) or by calling +1 315 463 9541